



MICROWAVE THERAPEUTIC SYSTEM

SABERWAVE ECO-200G

Tumor Ablation & Endovenous Ablation
2 in 1 System

Break through application boundaries

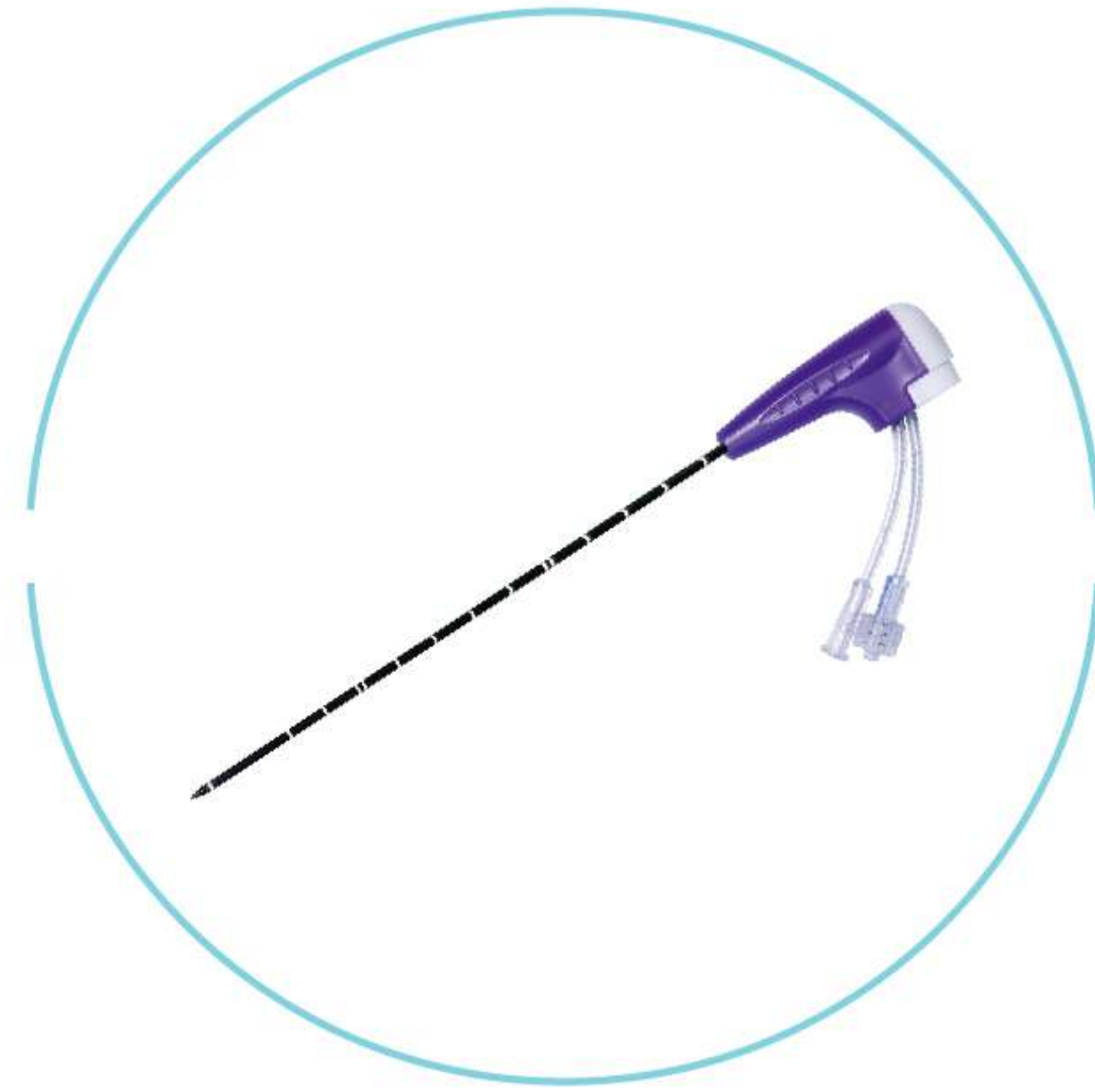
One-stop service platform for tumor and endovenous ablation



Disposable Microwave Therapeutic Antenna



Ceramic Antenna



MRI Antenna



Thyroid Antenna

Feature

Available in 8G, 14G, 15G, 16G, 17G diameters

Available in 10cm, 15cm, 20cm, 25cm lengths

Detachable cable

Unique MRI compatible antenna available

Patented cooling system with thermocouple

High strength shaft material and advanced anti-adhesion technology

Benefit

Variety of diameters available for different organs and lesion sizes

Variety of lengths available for open, percutaneous, and laparoscopic procedures

Makes antenna placement more convenient

To achieve MRI guided ablation procedure

Real-time coolant temperature monitoring to minimize the risk to non-targeted tissue burns

Lower tumor core temperature, less charring

In the field of tumor ablation, China's experts, technology and equipment are leading the development of the industry. As an original Chinese technology, the innovative application of microwave ablation technology in lower limbs endovenous thermal treatment also has symbolic meaning to the field. In order to better meet the clinical needs, ECO innovatively integrates solid tumor and endovenous microwave ablation technologies, and works with clinical experts to benefit patients all over the world.

Microwave Therapeutic System SABERWAVE ECO-200G



2.45GHz Operating Frequency

Touch Screen User Interface

Multiple Safety Measures

Stable Microwave Output

Integrated Tumescence Injection Function

Disposable Microwave Therapeutic Antenna (for Varicose Veins)

6F antenna

1200mm antenna length, with 1500mm re-usable connecting cable

1cm active microwave tip

Round mark by centimeter, warning mark at 3cm and 13cm



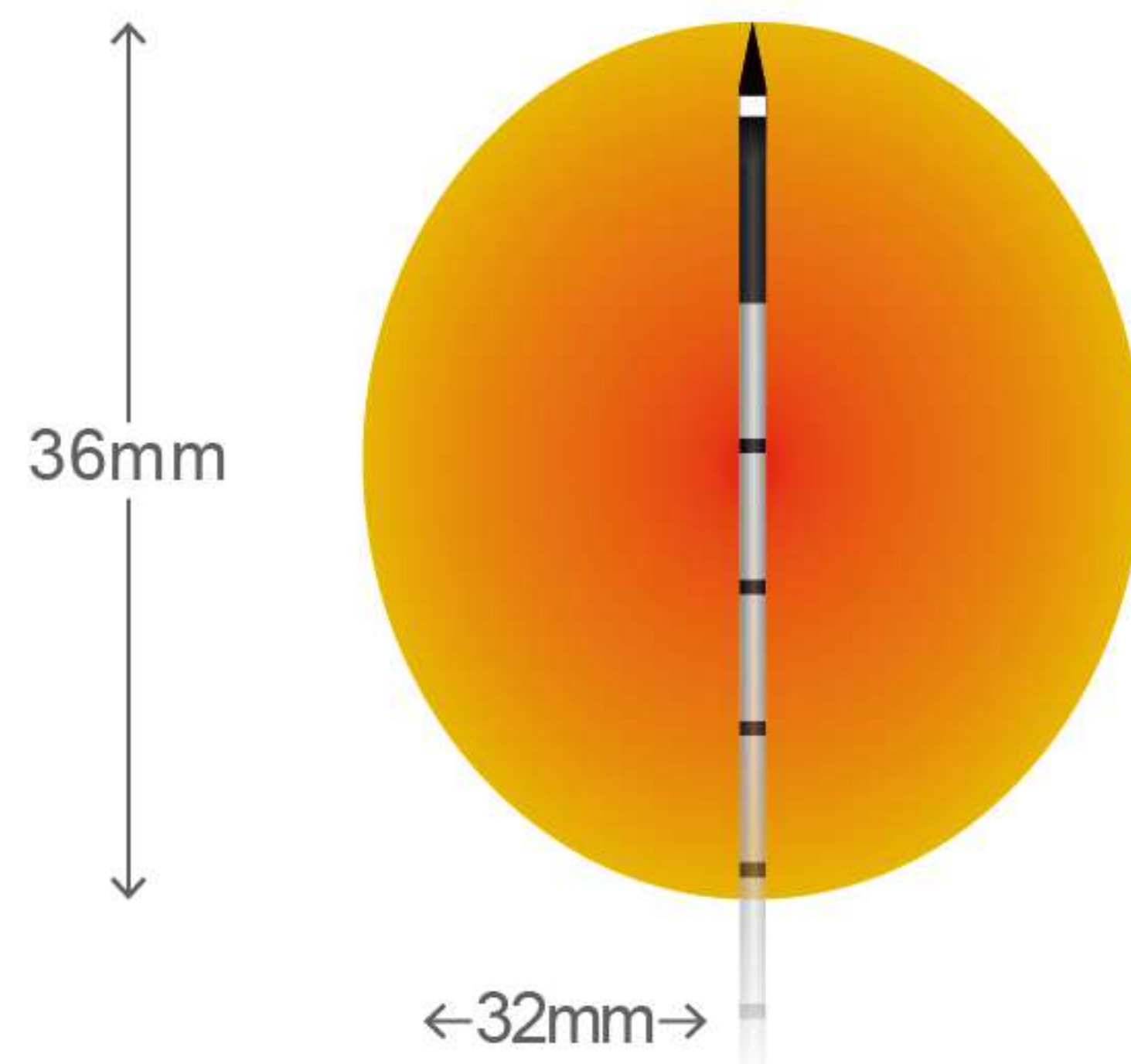


Disposable Microwave Therapeutic Antenna (Ceramic series)

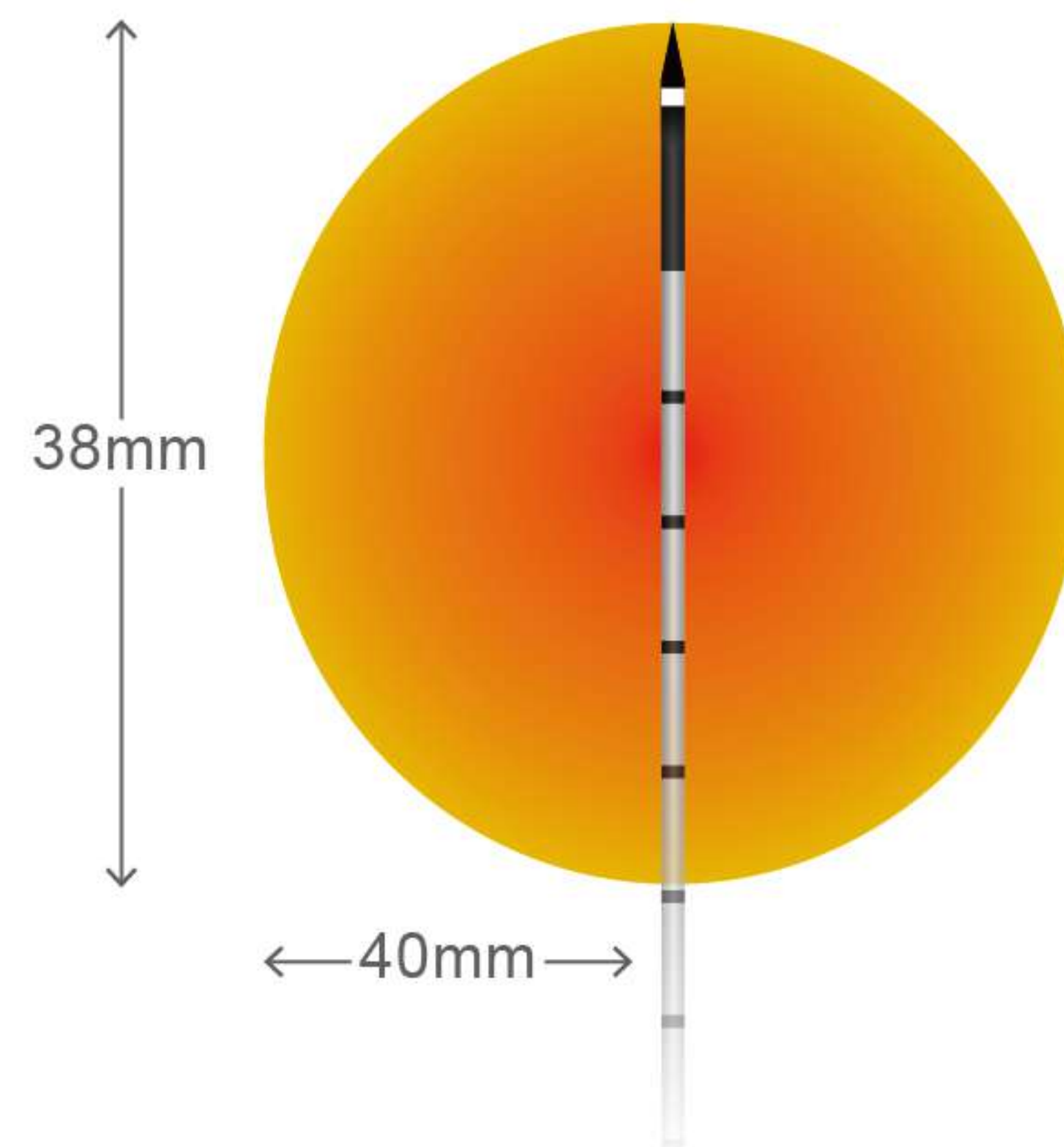
Ex Vivo Porcine Liver Ablation Data

Single Probe

60W 8min

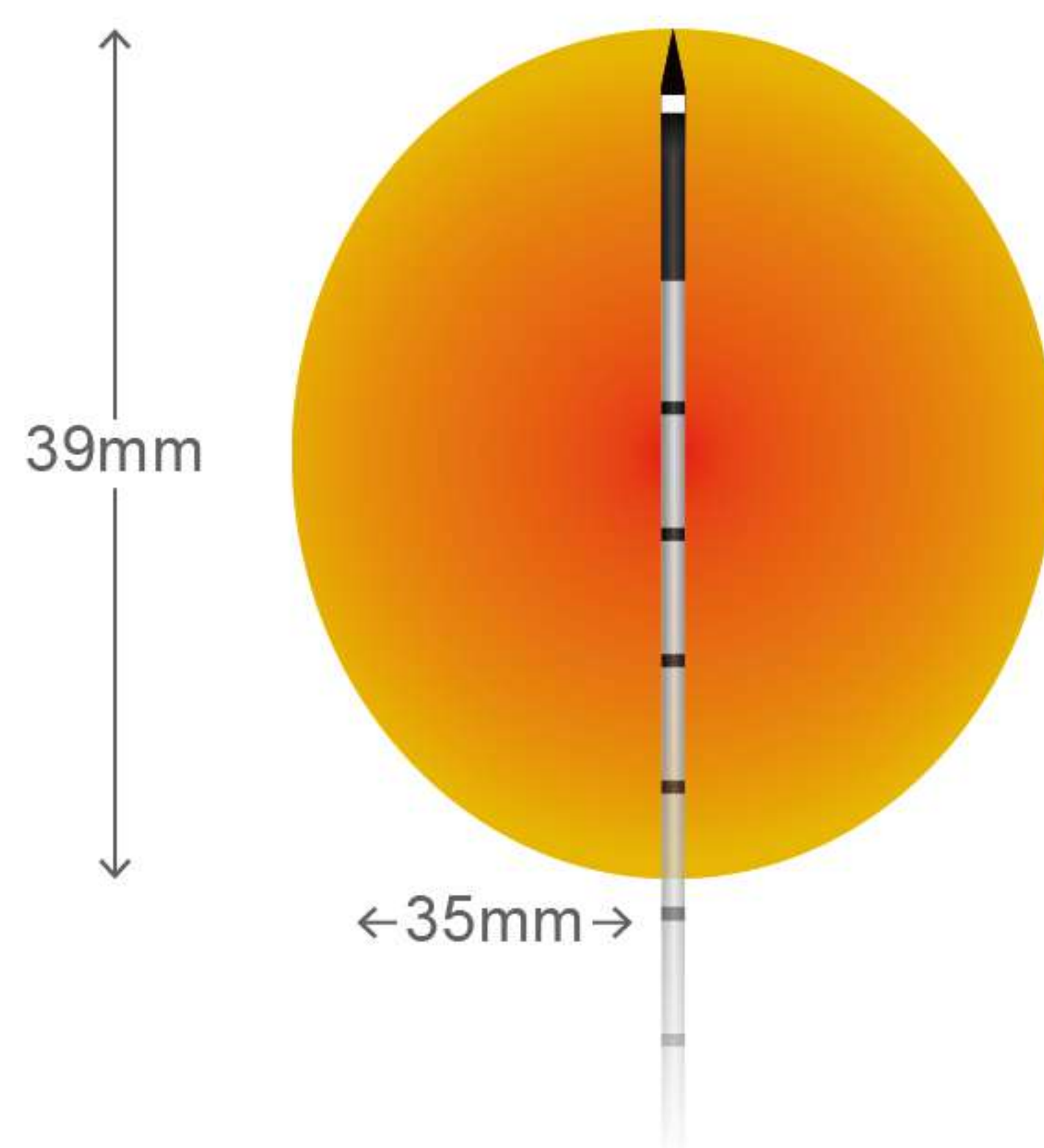


60W 10min

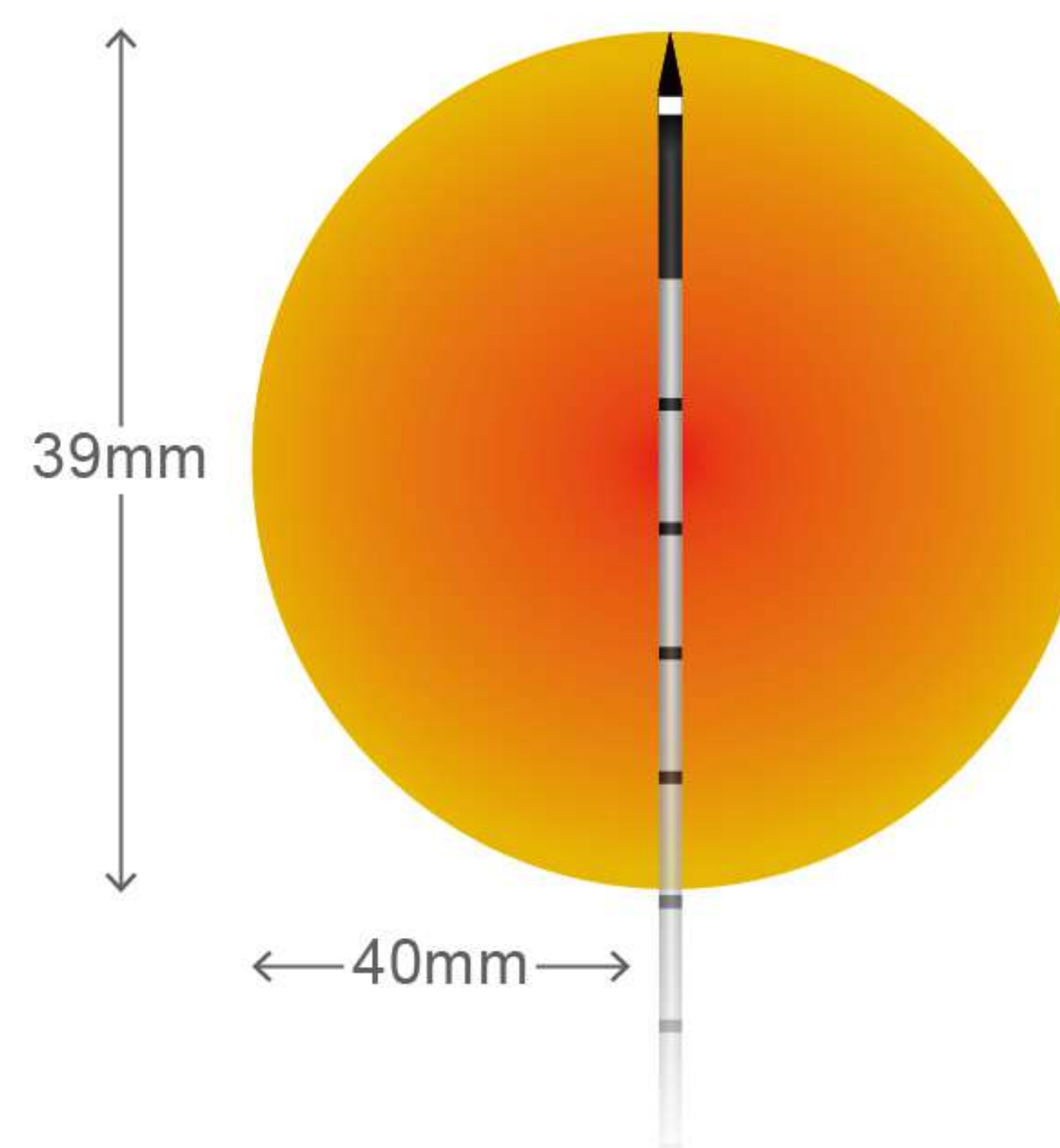


Single Probe

80W 8min



80W 10min

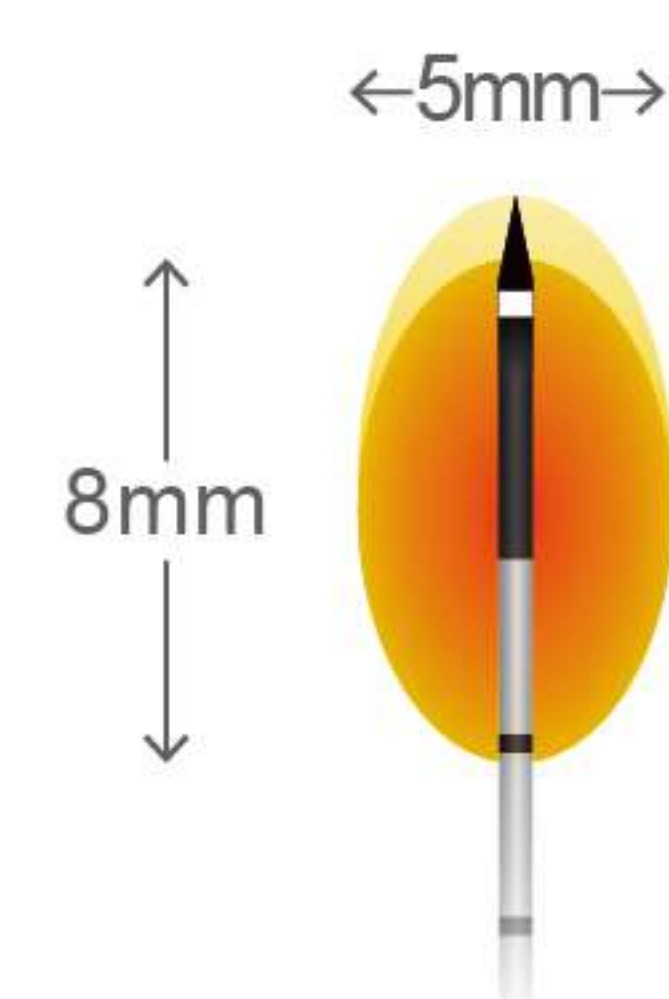


Disposable Microwave Therapeutic Antenna (Thyroid series)

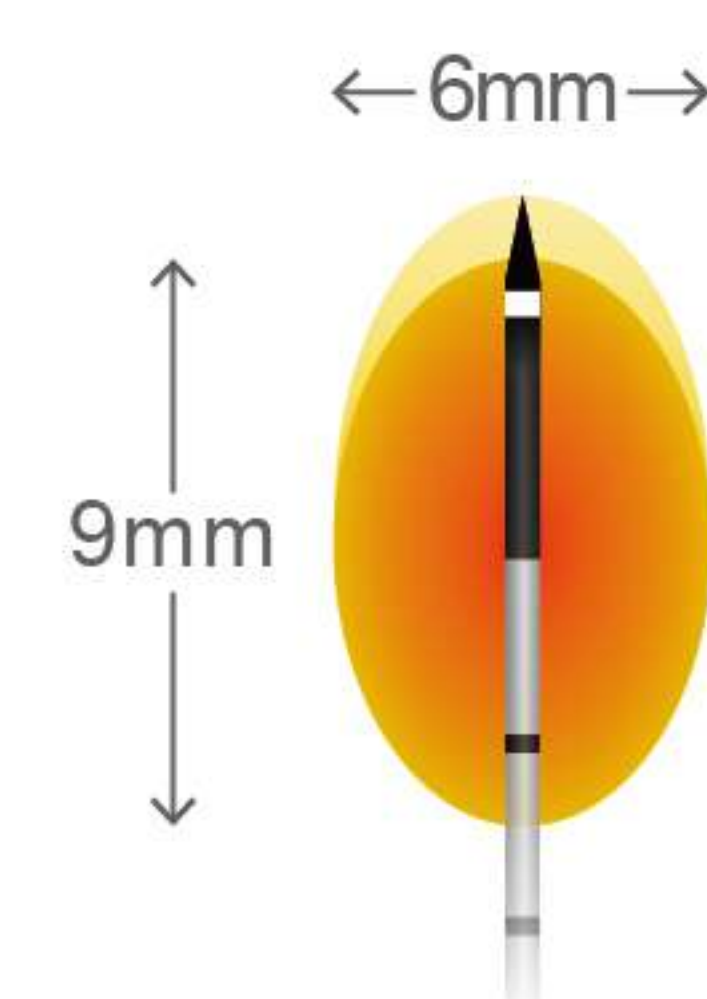
Ex Vivo Porcine Liver Ablation Data

16G - Single Probe

30W 10s

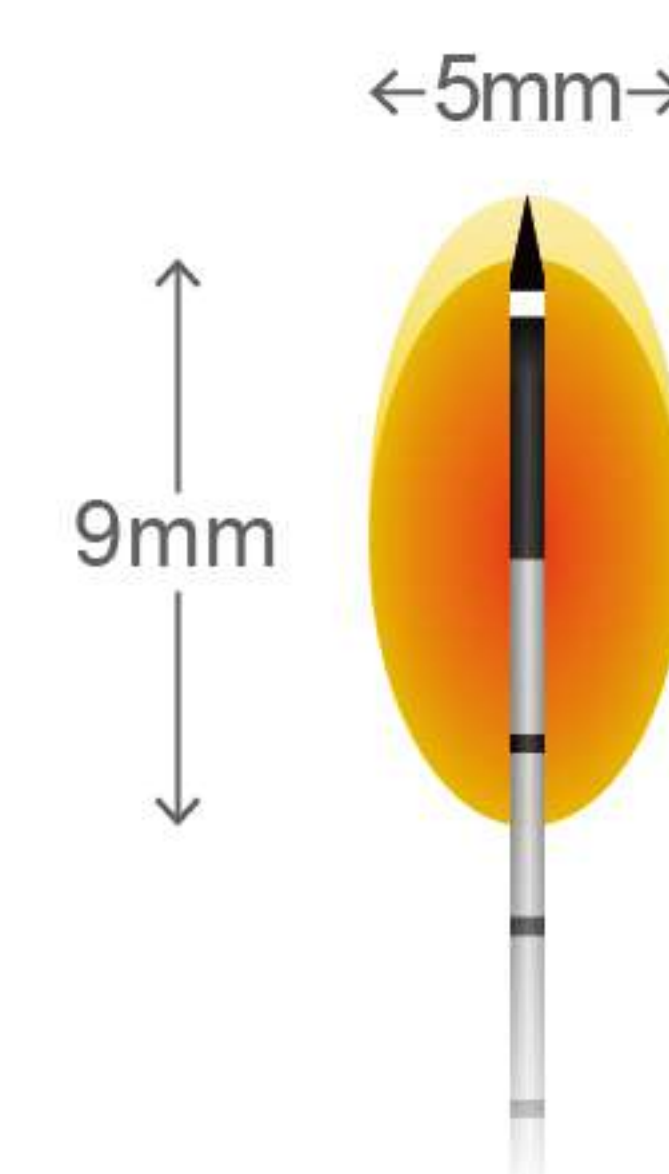


30W 20s

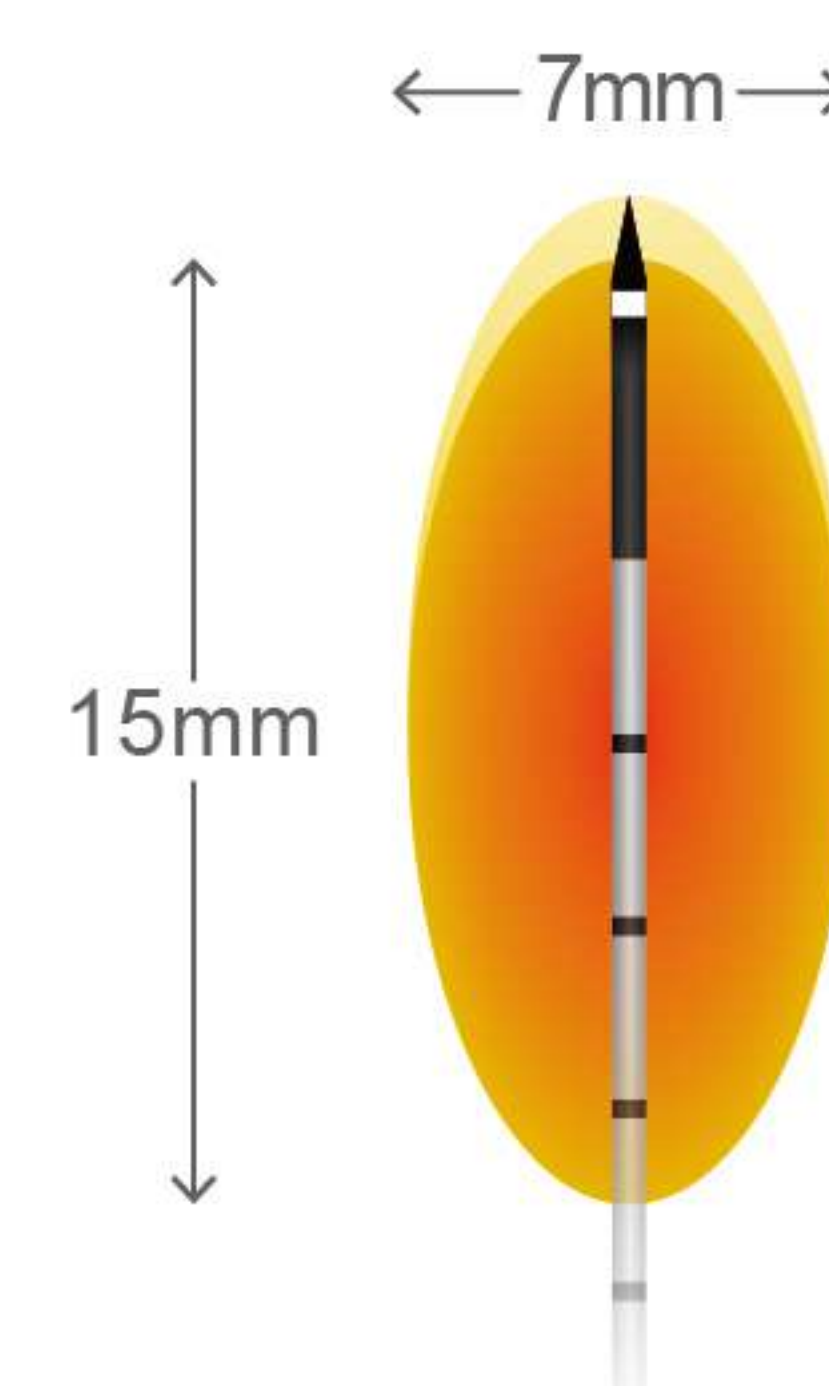


17G - Single Probe

30W 10s



30W 20s



Note: Output power 30W~40W is routinely used in operation, and the continuous working time of a single ablation circle shall not be more than 15min; The maximum power limit is 50W. It is FORBIDDEN to overpower the antenna.
Single antenna thyroid ablation is generally suitable for lesions within 3cm; If the lesion is larger than 3cm, double antenna ablation is recommended.

ECO Services

Expert Support

Worldwide expert resources sharing to solve clinical problems

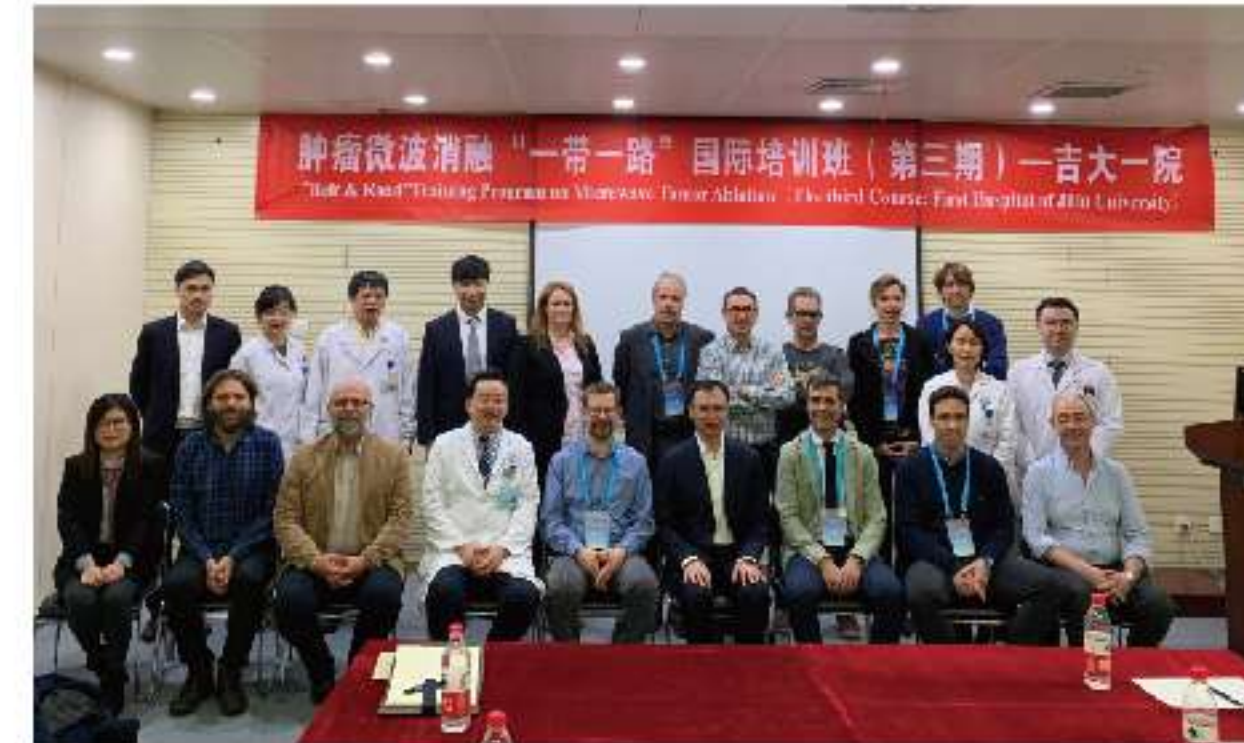
Academic Support



CCMA & SIO Annual Meeting in Nanjing



CCMA & SIO Online Class



CCMA International Training Course on Tumor Microwave Ablation



CCMA International Training Course on Endovenous Microwave Ablation

Brief Introduction

Established in 2000, ECO is a medical device manufacturer in China. ECO is actively involved in microwave, high-frequency and physical therapy fields. With its vision “To Be No.1 in China and First-Class in the world”, and its mission to help employees realize their self-worth and contribute more to human health, ECO is trying every effort to deliver advanced technology and provide product solutions to medical institutions at home and abroad.



ECO MEDICAL TECHNOLOGY (NANJING) CO., LTD.
(former: NANJING ECO MICROWAVE SYSTEM CO., LTD.)

Address: 3rd & 4th Floors, J5 Building, NJUT Science & Technology Industrial Park, No.15 Wanshou Road, Jiangbei New Area, Nanjing, Jiangsu, China, 211800.

ECO Medical Instruments Industrial Park, No.19 Xinghui Road, Jiangbei New Area, Nanjing, Jiangsu, China, 210044.

Tel: +86-25-86262828

Fax: +86-25-86262777

Email: info@njeco.com.cn

Website: www.ecomicrowave.com



LinkedIn



ECO Website



Facebook



Youtube

Although we have tried our best to provide accurate and up-to-date information, no responsibility can be accepted for any mistakes contained in this catalogue. The products and descriptions, as shown in this catalogue may be changed without prior notice.